

EXPLANATIONS

ALL MEASURES ARE IN MILLIMETERS.

NOTES

THE SLIDING WINDOW SHALL BE TYPE 7007, SVALSON AB SWEDEN (+46 911 66725).

CONSTRUCTION

MOTOR, TRANSMISSION AND AUTOMATIC LOCKING SHALL BE PLACED WITHIN THE FRAME.

LOCKING

THE SLIDING WINDOW SHALL BE LOCKED AUTOMATICALLY IN CLOSED POSITION AND EACH 50 mm OF THE OPENING HEIGHT.

FINISH

THE ALUMINIUM PROFILES SHALL BE SATIN ANODISED. (OR ANY OTHER FINISH, FOR INSTANCE COLOUR COATED OR ANODISED IN OTHER COLOURS.)

GLASS

6 mm FLOAT GLASS. (OR OTHER TYPE OF GLASS WITH A MAXIMUM THICKNESS OF 6.5 mm. FOR INSTANCE 6 mm HARDENED GLASS OR 6 mm LAMINATED GLASS.)

7.2

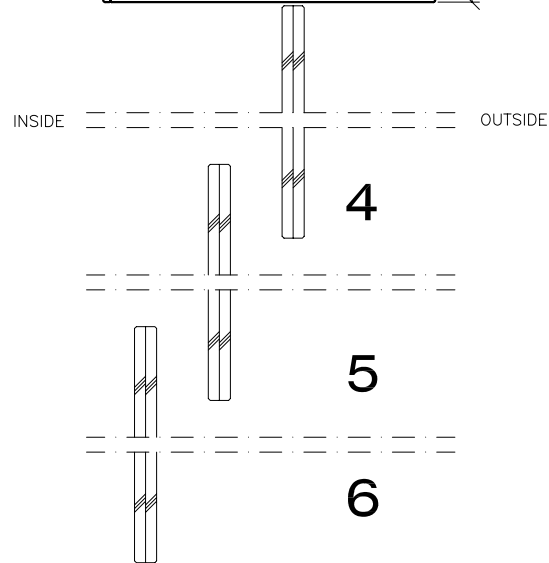
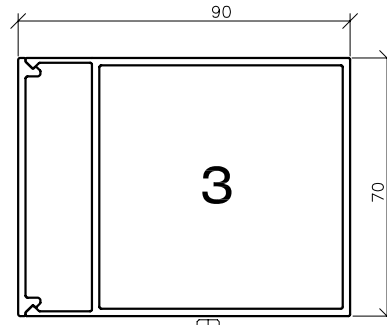
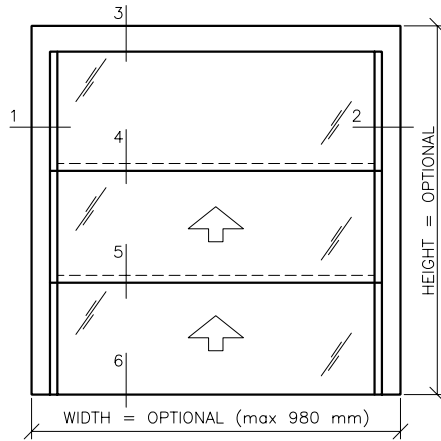
REV	TYPE OF REVISION	DATE	SIGN
-----	------------------	------	------

SVALSON

SVALSON AB
 Phone +46 911-66725
 Telefax +46 911-66680
 http://www.svalson.se
 info@svalson.se

Box 584
 S-943 28 Öjebyn
 SWEDEN

SLIDING WINDOW TYPE 7007		VIEW FROM OUTSIDE <input checked="" type="checkbox"/>
DRAWN/DESIGN RA	SCALE 1:10, 1:1	VIEW FROM INSIDE <input type="checkbox"/>
DATE 24.08.04	DRAWING NUMBER 7007.	REV



EXPLANATIONS
ALL MEASURES ARE IN MILLIMETERS.

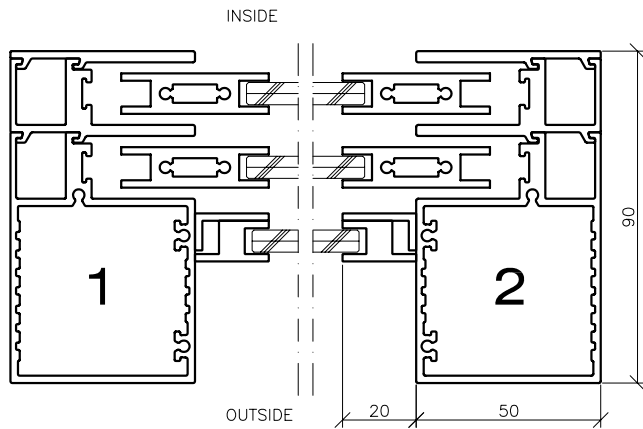
NOTES
THE SLIDING WINDOW SHALL BE TYPE 7007, SVALSON AB SWEDEN (+46 911 66725).

CONSTRUCTION
MOTOR, TRANSMISSION AND AUTOMATIC LOCKING SHALL BE PLACED WITHIN THE FRAME.

LOCKING
THE SLIDING WINDOW SHALL BE LOCKED AUTOMATICALLY IN CLOSED POSITION AND EACH 50 mm OF THE OPENING HEIGHT.

FINISH
THE ALUMINIUM PROFILES SHALL BE SATIN ANODISED. (OR ANY OTHER FINISH, FOR INSTANCE COLOUR COATED OR ANODISED IN OTHER COLOURS.)

GLASS
6 mm FLOAT GLASS. (OR OTHER TYPE OF GLASS WITH A MAXIMUM THICKNESS OF 6.5 mm. FOR INSTANCE 6 mm HARDENED GLASS OR 6 mm LAMINATED GLASS.)



REV	TYPE OF REVISION	DATE	SIGN
RA			

SLIDING WINDOW TYPE 7007 V3		SCALE: 1:10, 1:1	VIEW FROM OUTSIDE <input checked="" type="checkbox"/>
DATE: 24.08.04	DRAWING NUMBER: 7007.		VIEW FROM INSIDE <input type="checkbox"/>