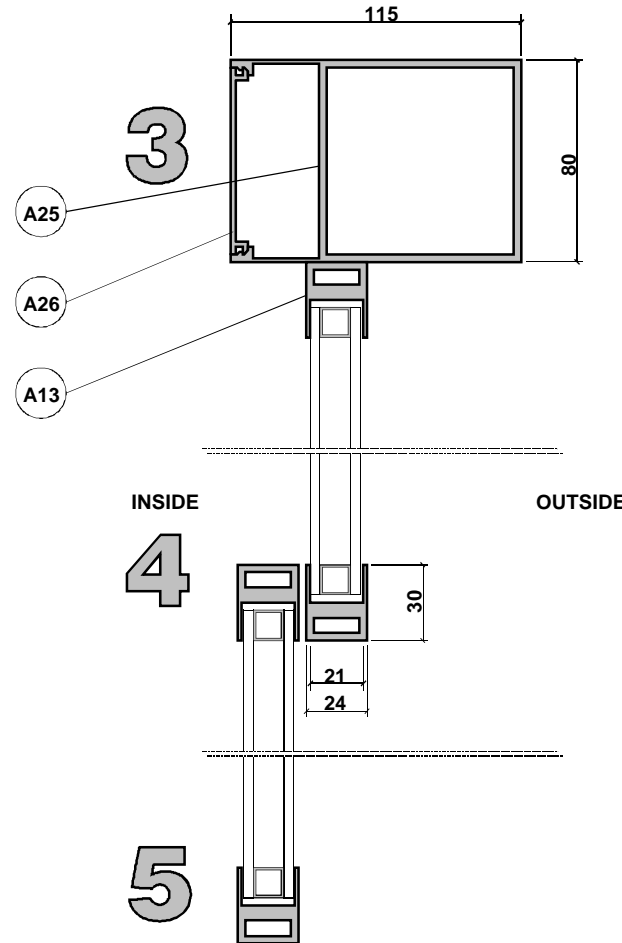


SCALE 1:20 (EXAMPLE OF A SVALSON SLIDING WINDOW, SIZE 2000 X 2000 mm, VIEWED FROM OUTSIDE.)



EXPLANATIONS

ALL MEASURES ARE IN MILLIMETRES.

NOTES

THE SLIDING WINDOW SHALL BE SVALSON SLIDING WINDOW TYPE NJORD, SVALSON AB, SWEDEN (+46 911 667 25).

CONSTRUCTION

MOTOR, TRANSMISSION AND AUTOMATIC LOCKING SHALL BE PLACED WITHIN THE FRAME.

LOCKING

THE SLIDING WINDOW SHALL BE LOCKED AUTOMATICALLY IN CLOSED POSITION.

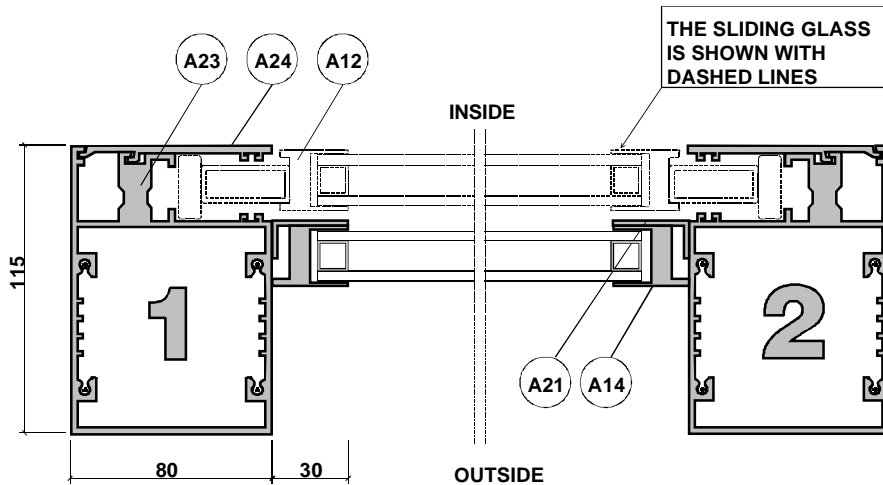
FINISH

THE ALUMINIUM PROFILES SHALL BE SATIN ANODISED. (OR ANY OTHER FINISH, FOR INSTANCE COLOUR COATED OR ANODISED IN OTHER COLOURS.)


GLASS

DOUBLE GLAZING 4-12-4 . (OR ANY OTHER TYPE OF GLASS WITH A MAXIMUM THICKNESS OF 20 mm. FOR INSTANCE 16 mm LAMINATED GLASS CLASS B1.)

SEE DRAWING AUPROFIL-3-E FOR PROFILE DIMENSIONS.



REV	REVISION REFERS TO	DATE	SIGN
-----	--------------------	------	------

 <p>SVALSON AB Phone +46 911 667 25 Telefax +46 911 666 80</p>	<p>PROFILE DRAWINGS SLIDING WINDOW TYPE NJORD</p>		<input checked="" type="checkbox"/>
	<p>DRAWN/CONSTRUCTED BY GCn</p>	<p>SCALE 1:2</p>	<p>VIEW FROM OUTSIDE VIEW FROM INSIDE</p>
<p>DATE 1996-11-22</p>	<p>DRAWING NUMBER AUNJORD-E</p>	<p>REV</p>	<p>REV</p>