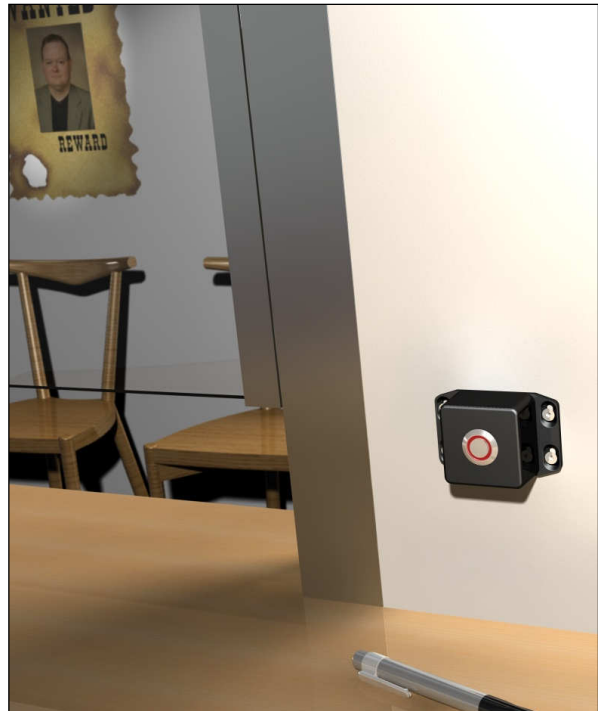


D3.AL2



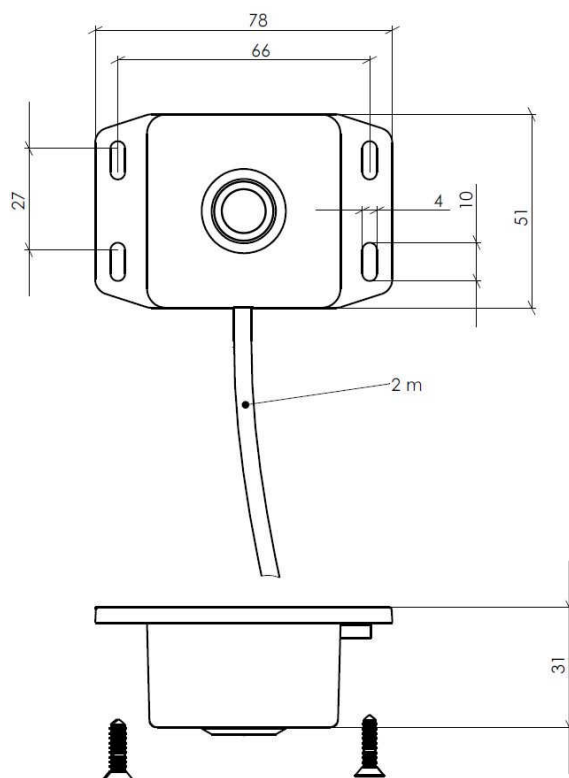
2009.08 (eng)

Illuminated control switch for alarm closing

Robust control switch with illuminated emergency button. The switch has an aluminium casing with a powder coated paint finish. The control switch is suitable for installation on a wall or similar vertical surface. The control switch can also be installed under a counter or desk, creating a neat, hidden installation. The control switch is easily located in a stressful situation thanks to the illuminated button. The illumination also indicates that the switch is connected to the control system and that the system is powered. The button has a distinct feeling when pressed. A raised ring around the button minimizes the risk of accidentally pressing the button.



DESIGN



TECHNICAL INFORMATION

| | |
|-----------------|--|
| NAME | D3.AL2 |
| DESCRIPTION | Illuminated control switch for alarm closing |
| CONTROL SYSTEM | Compatible with the S3 control system (please note that the control system must be configured for alarm closing activated by control switch) |
| FUNCTION | According to the configuration of the control system (the control switch is normally used to activate alarm closing) |
| MATERIAL | Powder coated aluminium casing with pushbutton in stainless steel |
| COLOUR | Casing in manganese metallic, pushbutton with red illumination |
| MANUFACTURED BY | Svalson AB, Sweden |

Design and material subject to change without prior notice

